
FS-200AC,AR/FS-250AC,AR Find Scope



Contents

FS-200AC,AR/FS-250AC,AR Find Scope.....	1
Contents.....	I
1 FS-200AC,AR/FS-250AC,AR Find Scope Introduction.....	2
1.1 FS-200AC,AR/FS-250AC,AR Find Scope General Characteristics	2
1.2 FS-200AC,AR/FS-250AC,AR Find Scope, Focus Seat Model.....	2
1.3 FS-200AC,AR/FS-250AC,AR Find Scope Dimensions	3
2 Installation of FS-200AC,AR/FS-250AC,AR and Guide Camera.....	5
3 FS-200AC,AR/FS-250AC,AR Find Scope Packing List.....	6
4 Pictures Taken with FS-200AC,AR/FS-250AC,AR and Camera	7
5 ToupTek®-- Contact Information.....	8
6 ToupTek web site.....	8
6.1 Microscope/web.....	8
6.2 Astronomy/web.....	8
6.3 Astronomy/shop.....	8

1 FS-200AC,AR/FS-250AC,AR Find Scope Introduction

1.1 FS-200AC,AR/FS-250AC,AR Find Scope General Characteristics

The optical lens of FS-200AC,AR/FS-250AC,AR find scope is designed with a two-piece double-glued achromatic structure, and the lens adopts a multi-layer coating process to further improve the transmittance of the lens. The focal length of FS-200 is 200mm, the diameter is 46mm, and the focal ratio is F4.5; the focal length of FS-250 is 250mm, the diameter is 46mm, and the focal ratio is F5.6.

The FS-200AC,AR/FS-250AC,AR find scope barrel is made of aluminum alloy and CNC machined to ensure both stability and aesthetics.

The FS-200AC,AR/FS-250AC,AR find scope focus seat currently has two models, FSB-125C(Crayford Focusers) and FSB-125R(Rack and Pinion Focusers), for users to choose from. Their parameters are shown in the table below. Among them, the FSB-125C adopts precision bearing guidance and gearless focusing, which can ensure the stability of the optical axis during the focusing process; the FSB-125R focus seat adopts gear rack and pinion focusing, which has higher focus accuracy. The inner diameter of the end of the focus seat is 1.25 inches, which is compatible with mainstream guide cameras; there is an M42x0.75 thread on the outside, which can be connected to the M42x0.75 interface cooling/planetary camera. The focus handwheel adopts chamfer knurling technology, which is both beautiful and practical. The laser marking process is used to calibrate the focusing stroke scale, which is convenient for users to find and record the focus position.

The FS-200AC,AR/FS-250AC,AR find scope rings and dovetail plate are also made of aluminum alloy and CNC machined. The find scope rings have M5 threaded holes on the top and side for easy installation of other astronomical equipment; the dovetail plate has multiple M6 threaded holes and a 3/8-16 British threaded hole at the bottom for connecting to tripods and other equipment.

The physical products of FS-200AC,AR/FS-250AC,AR find scopes are shown in Figure 1 and Figure 2.



Figure 1 FS-200 find scope product



Figure 2 FS-250 find scope product

1.2 FS-200AC,AR/FS-250AC,AR Find Scope, Focus Seat Model

The current model parameters of FS-200AC,AR/FS-250AC,AR find scopes are shown in the table below. There are two find scopes with different focal lengths to choose from to meet user needs.

Order Code	Focal Length	Diameter	Focal Ratio	Camera Interface Size	Focus Seat Type
FS-200AC	200mm	45mm	F4.5	1.25 Inch/M42x0.75	Crayford Focusers (With FSB-125C)
FS-200AR					Rack and Pinion Focusers (With FSB-125R)
FS-250AC	250mm	45mm	F5.6	1.25 Inch/M42x0.75	Crayford Focusers (With FSB-125C)
FS-250AR					Rack and Pinion Focusers (With FSB-125R)

Currently, there are two models of focus seats, FSB-125C and FSB-125R, for users to choose from. Their parameters are shown in the following table. FSB-125C adopts gearless focus, while FSB-125R adopts gear focus.

FS-200AC,AR/FS-250AC,AR Find Scope

Order Code	Lens Tube Mounting Thread	Camera Interface Size	Focus Stroke	Focus Mode
FSB-125C	M48x0.75	1.25"/M42x0.75	35mm	Crayford Focusers
FSB-125R	M48x0.75	1.25"/M42x0.75	35mm	Rack and Pinion Focusers

1.3 FS-200AC,AR/FS-250AC,AR Find Scope Dimensions

The product dimensions of FS-200AC,AR/FS-250AC,AR series find scopes are shown in Figure 3 to Figure 6. The product dimensions of FS-200AC,AR/FS-250AC,AR find scope focus seats are shown in Figure 7 and Figure 8.

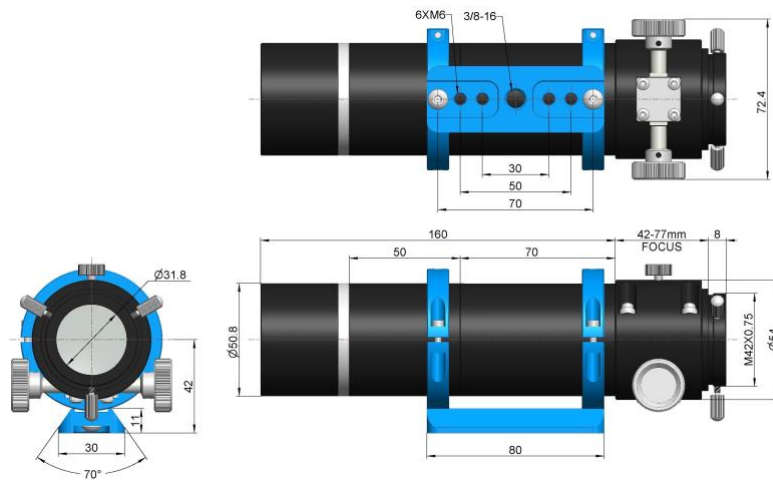


Figure 3 FS-200AC find scope dimensions

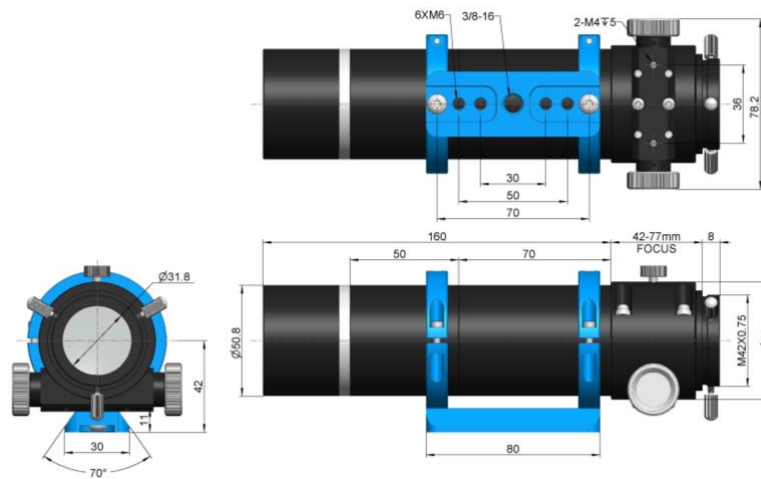


Figure 4 FS-200AR find scope dimensions

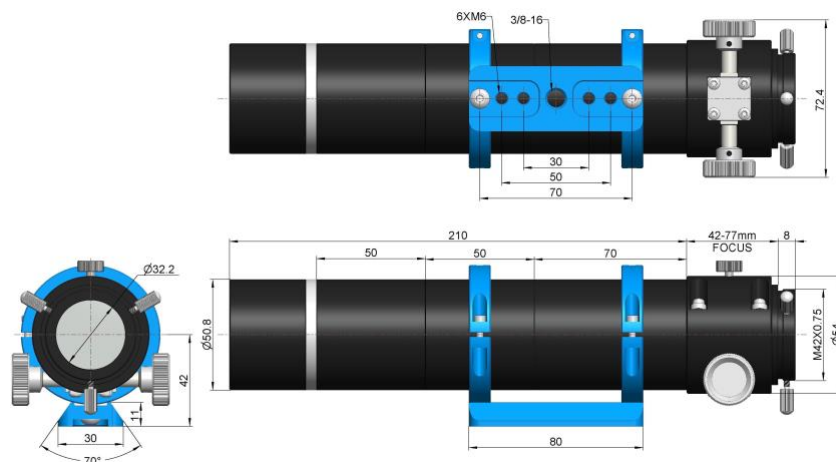


Figure 5 FS-250AC find scope dimensions

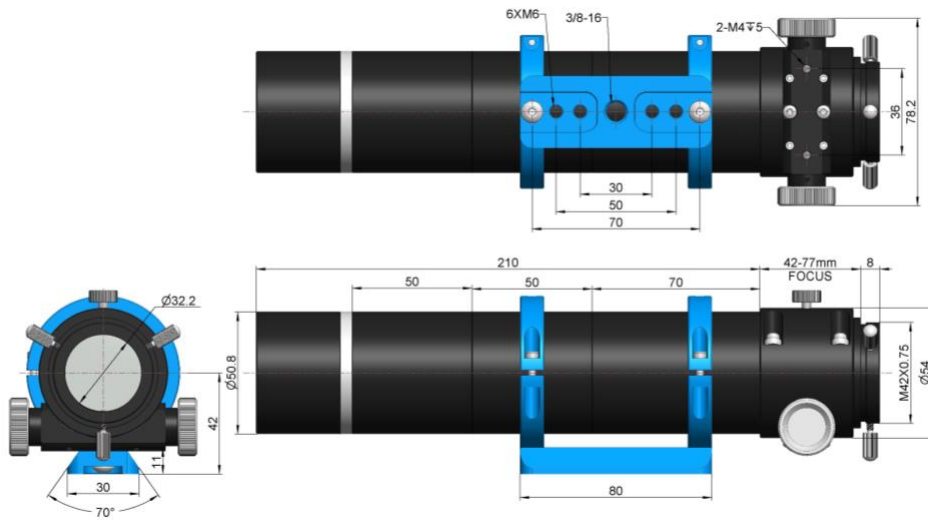


Figure 6 FS-250AR find scope dimensions

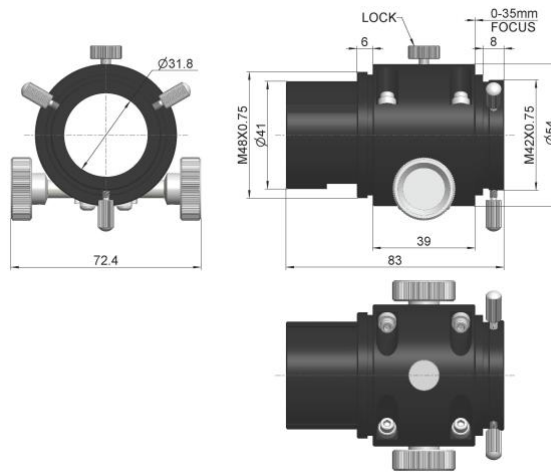


Figure 7 Dimensions of FSB-125C gearless focus seat

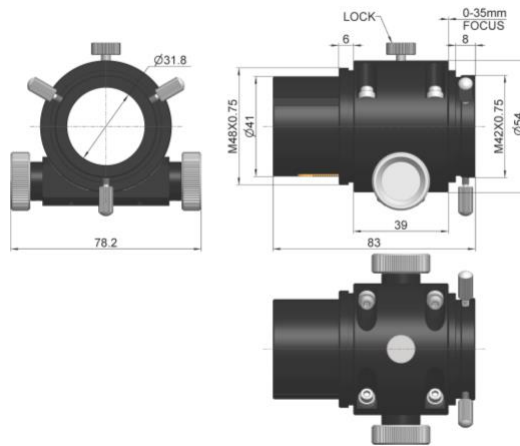


Figure 8 Dimensions of FSB-125R gear focus seat

2 Installation of FS-200AC,AR/FS-250AC,AR and Guide Camera

The installation method of the FS-200AC,AR/FS-250AC,AR find scope and guide camera is shown in Figure 9 and Figure 10. Insert the guide camera directly into the 1.25-inch interface at the end of the FS-200AC,AR/FS-250AC,AR guide scope, and then tighten the three-point locking screw.



Figure 9 FS-200AC,AR find scope and guide camera



Figure 10 FS-250AC,AR find scope and guide camera

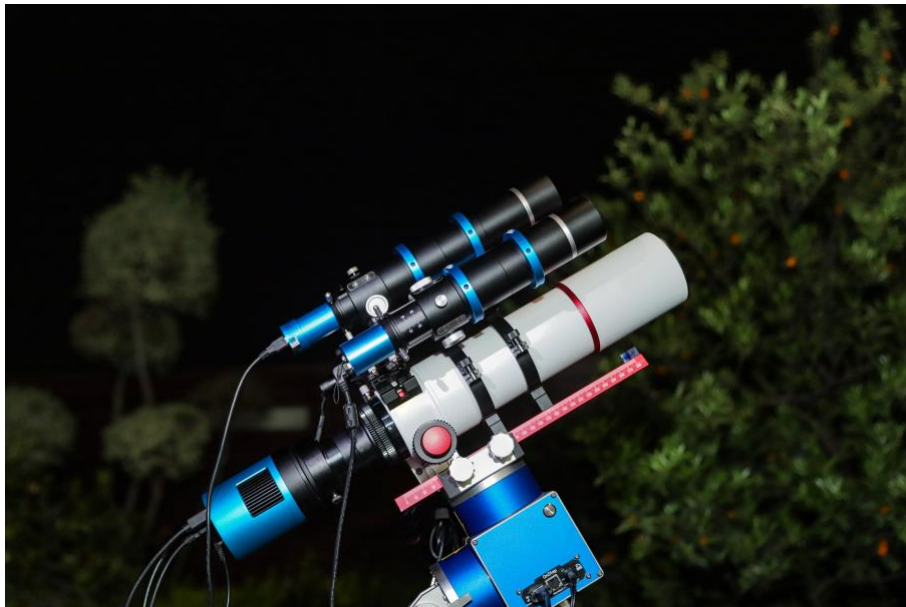


Figure 11 FS-200AC,AR/FS-250AC,AR find scope and telescope system

3 FS-200AC,AR/FS-250AC,AR Find Scope Packing List



Figure 12 FS-200AC,AR find scope packaging diagram



Figure 13 FS-250AC,AR find scope packaging diagram

Standard Packing List	
A	Guide scope packaging box specifications: L:32 cm W:11.5cm H:10 cm (FS-200AC,AR:1 pcs, 0.75 kg/box; FS-250AC,AR : 1 pcs, 0.8 kg/box;)
B	FS-200AC,AR/FS-250AC,AR find scope (Including find scope rings/dovetail plate, focus seat optional)
C	Guide scope dust cover

4 Pictures Taken with FS-200AC,AR/FS-250AC,AR and Camera



Figure 14 FS-200AC,AR/FS-250AC,AR with Touptek I3ISPM08300KPA camera to take photos of the lunar surface



Figure 15 FS-200AC,AR/FS-250AC,AR with Touptek I3ISPM08300KPA camera to take photos of buildings

5 ToupTek®-- Contact Information

	杭州图谱光电科技有限公司	
	杭州市西湖区西园五路 6 号奥强大厦 1 号楼 15 层	
	杭州, 310030, 浙江,	
	中国	
	Hangzhou ToupTek Photonics Co., Ltd	
	15F, Aoqiang Building 1, No. 6, Xiyuan 5th Rd.,	
	Hangzhou, 310030, Zhejiang, P.R.China	
	+86-571-8111-0735	
	+86-571-8111-0730	
	+86-571-8810-2638,	
	+86-18058780750 (手机/Mobile Phone)	
FAX: +86-571-8668-3738		
	tphz@touptek.com	
	Skype:	18058780750/ToupTek Photonics
	Q Q	2426878316
	Wechat	18058780750

6 ToupTek web site

6.1 Microscope/web

English: <https://www.touptek.com>

English: <https://www.touptekphotonics.com>

Chinese: <https://www.touptekphotonics.com.cn>

6.2 Astronomy/web

Chinese: <https://www.touptek-astro.com.cn>

Chinese: <https://www.touptek-astro.cn>

English: <https://www.touptek-astro.com>

6.3 Astronomy/shop

English: <https://www.touptekastro.com>